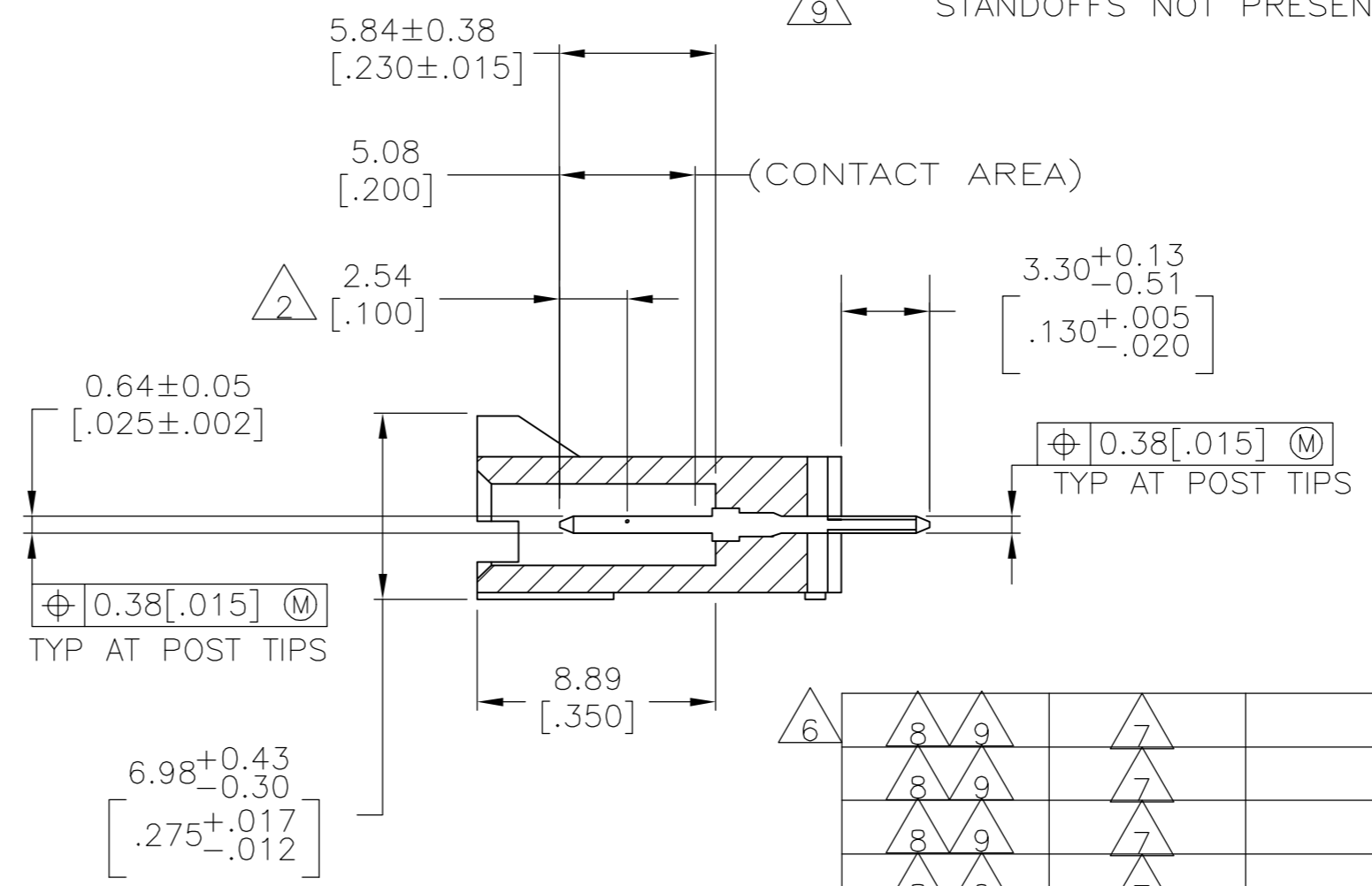
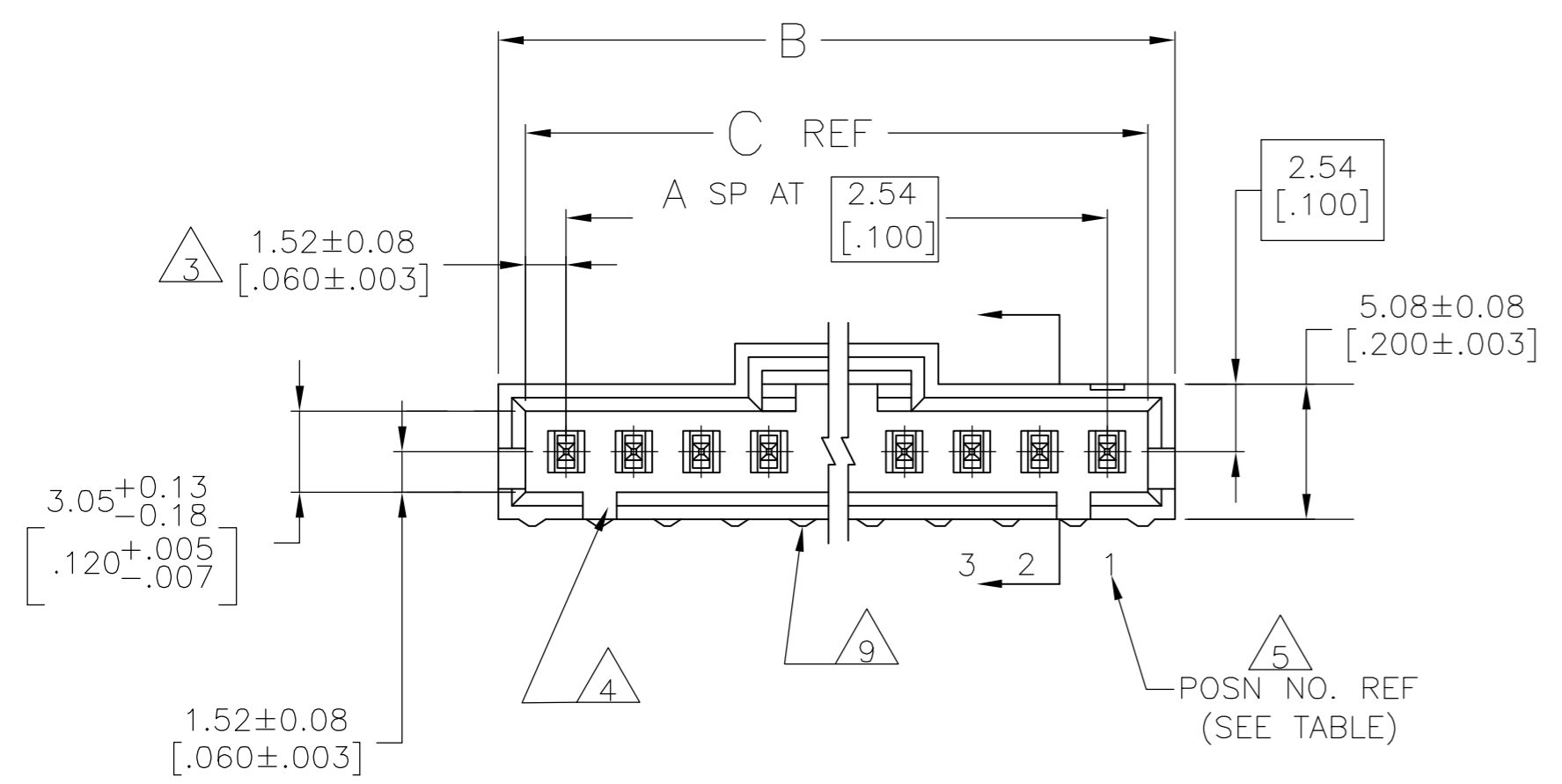
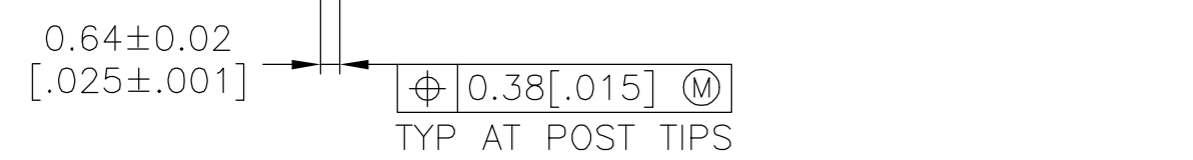
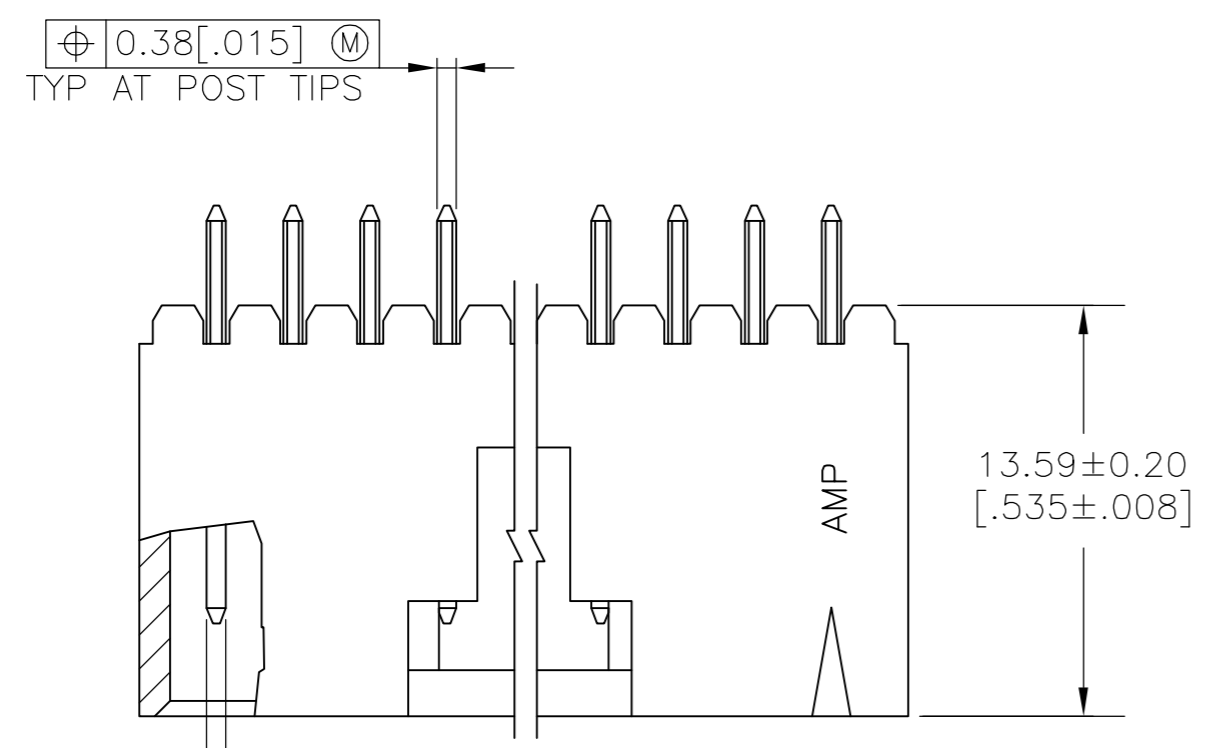
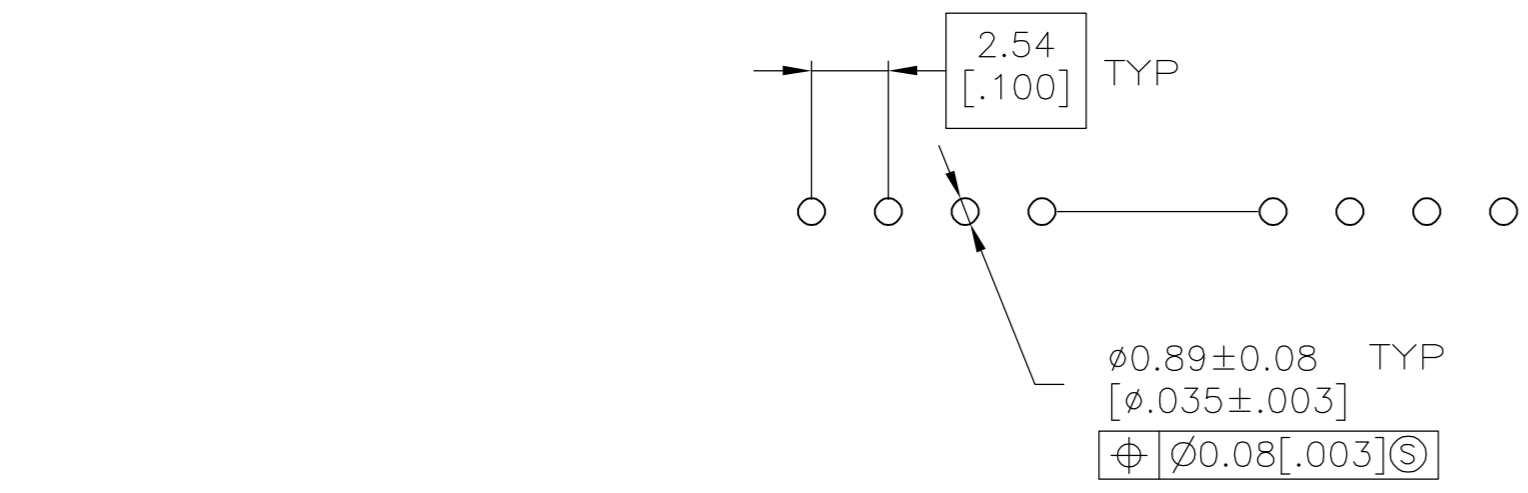


THIS DRAWING IS UNPUBLISHED. RELEASED FOR PUBLICATION
 © COPYRIGHT BY TYCO ELECTRONICS CORPORATION. ALL RIGHTS RESERVED.

LOC		DIST		REVISIONS			
AD	00	P	LTR	DESCRIPTION	DATE	DWN	APVD
		H1		ECO-05-10198	20MAR06	MB	JLG



- 1 .00254[.000100] BRIGHT TIN-LEAD OVER .00127[.000050] NICKEL.
- 2 POINT OF MEASUREMENT FOR PLATING THICKNESS.
- 3 THE NOTED DIMENSIONS APPLY AT THE INTERSECTION OF THE POST AND THE HOUSING.
- 4 ON ASSEMBLIES WITH FOUR OR MORE POSITIONS, TWO POLARIZATION SLOTS. ON ASSEMBLIES WITH TWO OR THREE POSITIONS, ONE POLARIZATION SLOT.
- 5 POSITION NOTED FOR REFERENCE ONLY.
- 6 PRELIMINARY PART-NOT RELEASED FOR PRODUCTION.
- 7 .00254[.000100] MATTE TIN OVER .00127[.000050] NICKEL.
- 8 HIGH TEMPERATURE CONFIGURATION
- 9 STANDOFFS NOT PRESENT ON UNDERSIDE OF ASSEMBLY



RECOMMENDED HOLE LAYOUT

REMARKS	PLATING	POSITIONS OMITTED	C	B	A	NO. OF POSN	PART NO.
	8 9	7	16	48.77 [1.920]	50.8 [2.000]	18 19	5-147969-5
	8 9	7	17	48.77 [1.920]	50.8 [2.000]	18 19	5-147969-4
	8 9	7	10	28.45 [1.120]	30.48 [1.200]	10 11	5-147969-3
	8 9	7	19	51.31 [2.020]	53.34 [2.100]	19 20	5-147969-2
	8 9	7	2	8.13 [.320]	10.16 [.400]	2 3	5-147969-1
		1	18	51.31 [2.020]	53.34 [2.100]	19 20	147969-6
		1	16	48.77 [1.920]	50.8 [2.000]	18 19	147969-5
		1	17	48.77 [1.920]	50.8 [2.000]	18 19	147969-4
		1	10	28.45 [1.120]	30.48 [1.200]	10 11	147969-3
		1	19	51.31 [2.020]	53.34 [2.100]	19 20	147969-2
		1	2	8.13 [.320]	10.16 [.400]	2 3	147969-1

THIS DRAWING IS A CONTROLLED DOCUMENT.

DWN R.BROWN 10SEP01
 CHK K.WRIGHT 10SEP01
 APVD K.WRIGHT 10SEP01

tyco Electronics Tyco Electronics Corporation
 Harrisburg, Pa 17105-3608

NAME HDR ASSY, VERT, SINGLE ROW
 2.54[.100] CL, 0.64[.025] SQ POST,
 WITH PLZN & LATCHING, AMPMODU MTE

108-25034
 APPLICATION SPEC

114-25026
 WEIGHT -

SIZE A2 CAGE CODE 00779 DRAWING NO C=147969 RESTRICTED TO -

CUSTOMER DRAWING SCALE 4:1 SHEET 1 OF 1 REV H1